

T2110 – Yxlon Y.TU 320-d03



Includes:

- Yxlon Y.TU 320-d03 X-Ray Tube
- Dual Focal Spots (3.0mm/5.5mm)
- Axial HT Cable Orientation (End Mounted)

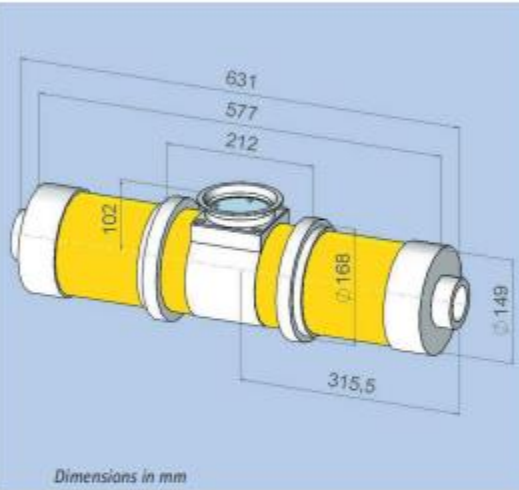
Technical Data

Y.TU 320-D03



YXLON.TU 320-D03

Bipolar Metal-Ceramic X-Ray Tube



YXLON 320 kV bipolar metal-ceramic X-ray tubes are developed to inspect thick sections of high density material, e.g. iron and steel castings.

Due to high penetration power Y.TU 320-D03 is suited for a wide variety of standard applications in radiography, radioscopy as well as dosimetry.

Providing a high level of mechanical and electrical strength YXLON X-ray tubes are both compact and lightweight.

Together with the YXLON generators, power supplies and control units the X-ray tubes form powerful systems, setting the standards in reliability, lifecycle and service.

YXLON. The reason why.

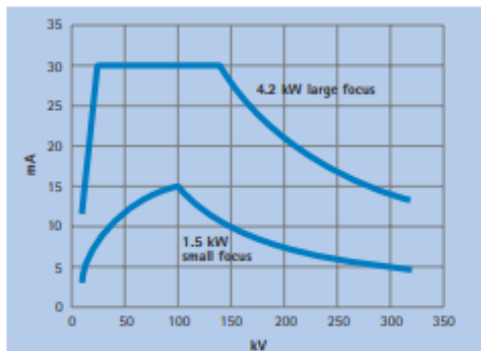
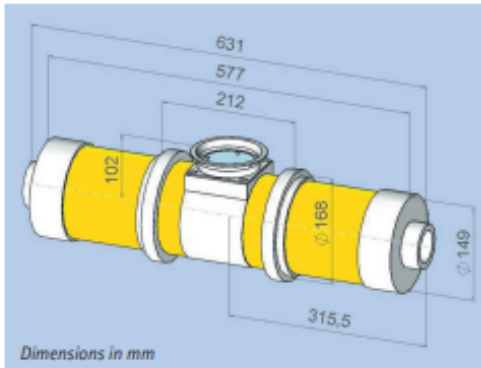
- High Penetration Power
- Long Lifecycle
- High Reliability
- Extensive Service

Y.TU 320-D03

YXLON. The reason why

Technical Data

Y.TU 320-D03



Loading data: shown are the max. permissible anode currents. Within the X-ray system these anode currents may be limited by power suppliers or generators.

Max. tube voltage	320 kV
Focal spot size (acc. EN12543) (acc. IEC336)	3.0 mm / 5.5 mm -
Max. power (fine / standard focus)	1.5 kW / 4.2 kW
Max. tube current at 320 kV	4.5 mA / 13 mA
Max. tube current at 320 kV	40 *
Inherent filtration¹	3.0 mm Be + 3 mm Al + 0.5 mm Cu
Leakage radiation²	< 5.0 mSv/h
Coolant	Oil
Max. inlet temperature	50°C
Min. flow rate	14 l/min
Environmental Conditions	
Operation temperature	0 °C...+40 °C
Storage temperature	-25 °C...+70 °C
Relative humidity	
- Operation	90 %
- Storage	95 %
Weight	40 kg
H.V. connection³	Flange R12
Approval	PTB
Order No.	9421 172 32203

¹ Al-filter removable by using tools; Al-filter acc. DIN 54113 and SSI FS1989:2; Cu-filter enclosed

² Measured at 1.0 m distance from the focal spot with X-ray port closed and X-ray tube operating at full load.

³ Quick-lock adapter available